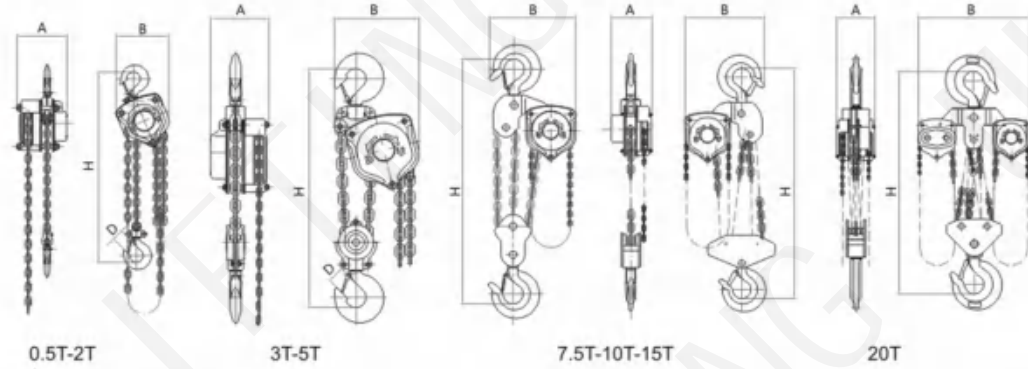


VC-A Chain Block

Introduction

- Low-alloy steel, which is reliable and durable.
- Premium alloy steel grade 80 load chain, which is safe and long serving life.
- Smooth operation, high efficient, small hand pulling force.
- Double pawls, two load chain guides wheel, which are safer.
- Needle bearing optioned.
- Widely used in the nuclear power station, thermal power station, etc.



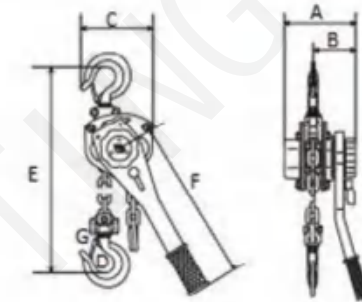
Specifications

Model	Unit	VC-A0.5T	VC-A1T	VC-A1.5T	VC-A2T	VC-A3T	VC-A5T	VC-A10T	VC-A15T	VC-A20T	VC-A30T	VC-A50T
Capacity	Tons	0.5	1	1.5	2	3	5	10	15	20	30	50
Standard Lift	Mts	2.5	2.5	2.5	2.8	2.8	2.8	3	3	3	3	3
Max Hand Force	Kn	6.21	12.25	18.38	24.5	36.75	61.25	122.5	183.75	245	367.5	612.5
No.of falls of load chain	No.	1	1	1	1	2	2	4	6	8	12	22
Dia of Load Chain	mm	5	6.3	7.1	7.1	8	9	9	9	9	9	9
Dimension(mm)	A	126	145	151	175	145	175	175	175	175	175	175
	B	145	152	178	180	208	208	260	398	580	630	900
	D	28	30	36	40	46	55	60	75	82	106	130
	H	285	400	340	500	520	610	720	870	890	1000	1950
Net Weight	Kg	8.4	12.7	16.2	20.2	22.3	38	66.1	120	193	220	1092
Packing(L*W*H)	cm	22*14*15	25*19*16	33*24*16	33*24*19	34.5*24*16	40*30*19	48*42*18.5	69*56*20	78*68*20	85*67*30	110*100*130

HSH Type Manual Lever Block

Introduction

- Thickened Integrated Shell,thickened protection and streamlined design help the chain run smoothly.
- Alloy steel hook-Industrial rated hooks rotates 360 degrees for easy rigging.
- Premium alloy steel grade 80 load chain,which is safe and long serving life.
- Compact Design-Smaller body and lightweight design for low headroom applications and use it in confined areas.



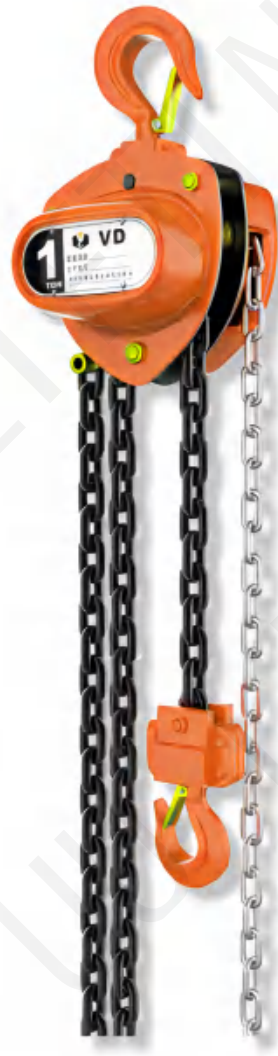
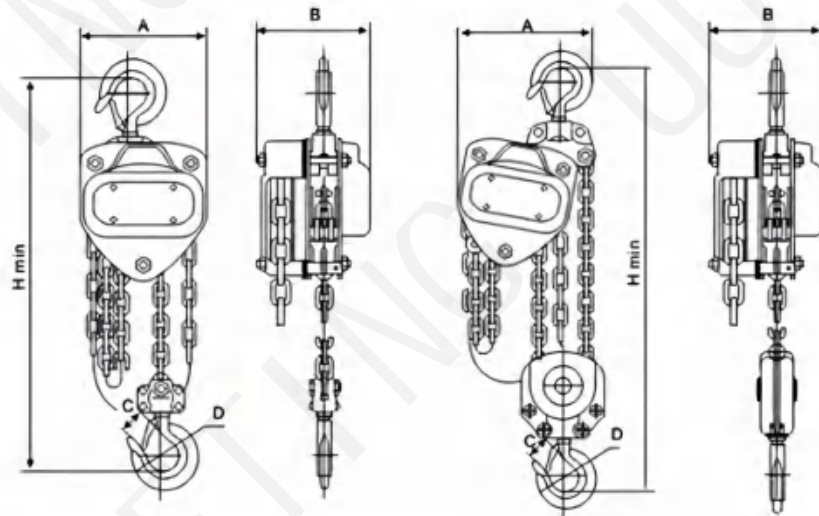
Specifications

Model	Unit	HSH-0.75T	HSH-1.5T	HSH-3T	HSH-6T	HSH-9T
Capacity	Tons	0.75	1.5	3	6	9
Standard Lift	Mts	1.5	1.5	1.5	1.5	1.5
Max Hand Force	Kn	9.4	18.75	37.5	75	112.5
No.of falls of load chain	No.	1	1	1	2	3
Dia of Load Chain	mm	6	8	10	10	10
Dimension(mm)	A	150	172	202	202	202
	B	90	100	115	115	115
	C	80	110	144	144	144
	D	40	45	58	64	85
	E	280	450	500	630	700
	F	280	400	400	400	400
	G	34	38	45	50	57
Net Weight	Kg	7.8	12.4	21	31	46
Wooden Packing(L*W*H)	cm	37*16*14	54*20*16	54*20*20	55.5*21*20	60*22*31

VD Chain hoist

Introduction

- Low alloy structural steel plate, safe, reliable and durable.
- It adopts grade 80 high-strength chain with high safety factor.
- The rotation is smooth, the efficiency is high, and the hand pulling force is small.
- The hooks are forged, Safe and durable.



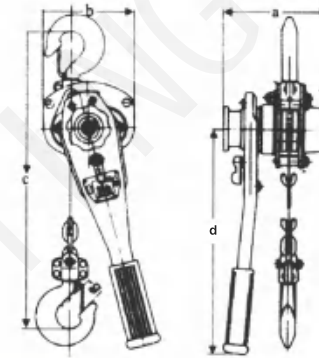
Specifications

Capacity (tons)	Standard Lift (m)	Load Chain Dia. (MM)	Full Capacity (N)	Dimension (mm)					Net Weight (kg)
				a	b	c	d	Hmin	
1T	2.5	6*8	25	149	153	29.4	13	352	14.5
1.5T	2.5	7.1*21	265	176	173	35	51	385	16.5
2T	2.5	8*24	335	176	173	35	51	385	19.5
3T	3	10*30	372	231	185	39	49	445	32
5T	3	10*30	360	249	185	49	67	615	41.1
10T	3	10*30	380	463	185	54	75	765	75.7

VL Lever Block

Introduction

- Thickened Integrated Shell, thickened protection and streamlined design help the chain run smoothly.
- Alloy steel hook-Industrial rated hooks rotates 360 degrees for easy rigging.
- Premium alloy steel grade 80 load chain, which is safe and long serving life.
- Compact Design-Smaller body and lightweight design for low headroom applications and use it in confined areas.



Specifications

Capacity (tons)	Standard Lift (m)	Load Chain Dia. (MM)	Min Distance Between Hooks (mm)	Running Test Load (t)	Effort Full Capacity (N)	Dimension (mm)				
						a	b	c	d	g
0.75T	1.5	6.3	295	1.125	148	148	128	295	256	27
1T	1.5	6.3	310	1.5	197	148	128	310	256	30
1.5T	1.5	7.1	335	2.25	216	163	148	335	268	34
3T	1.5	9	405	4.5	336	191	181	405	368	43
6T	1.5	9	550	9	345	191	244	550	368	47